

**Primary Lithium Battery:  
 Chemistry:**

**BL-7PN-ST  
 Lithium Thionyl Chloride**

**Electrical Characteristics**

Typical values for cells stored one year or less at temperature 25°C.

Nominal Voltage:	3.6V
Nominal Capacity: (At 1mA, 25°C, 2.0V cut off. The capacity restored by the cell varies with current drain, temperature and cut off voltage.)	700mAh
Maximum Recommended Continuous Current:	10mA
Maximum Pulse Current Capacity:	30mA
Rated 1 sec. Pulse Capacity (to 3.0V): (Pulse capability varies according to pulse Characteristics, frequency duration, temperature, storage conditions prior to usage and application acceptable minimum voltage.)	15mA
Operating Temperature Range: (Operation at temperature different from ambient may lead to reduced capacity and lower voltage plateau readings.)	-40°C / +125°C
Typical Weight:	8g
Dimensions:	1.00"x0.65"x0.25"
Storage Temperature: (Recommended Max.)	+30°C

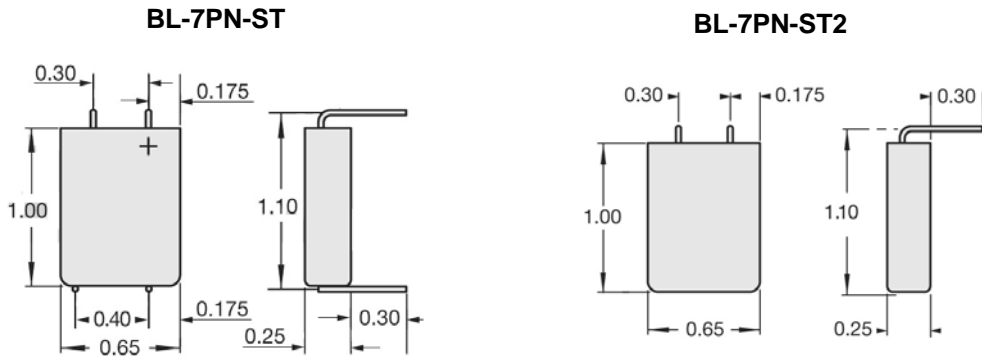
**Features**

- ♦ High energy density
- ♦ High working voltage
- ♦ Low self discharge rate
- ♦ Wide operating temperature
- ♦ Hermetic glass-to- metal seal
- ♦ UL Recognition File No. MH45994

**Applications**

- ♦ TPMS
- ♦ Utility metering
- ♦ Test equipment
- ♦ Monitoring systems
- ♦ Memory back-up
- ♦ Tracking systems
- ♦ Data loggers
- ♦ RF electronics

Product specifications are subject to change without prior notice. Please contact BiPOWER for update information.



Dimension in inch